

Single Hole or 4" Centers, Deck Mount, Electronic Lavatory Faucet with Dual Beam Infrared Sensor

Product Type

Single Hole or 4" Centers, Deck Mount, Electronic Lavatory Faucet with Dual Beam Infrared Sensor

Features & Specifications

- 5 3/8" C-C Spout
- 0.5 GPM (1.9 L/min) Vandal Resistant Spray Outlet
- 6 Volt Lithium CRP2 Battery (Included)
- ECAST® design provides durable brass construction with total lead content equal to or less than 0.25% by weighted average
- Multiple Field Adjustable Modes and Ranges
- Geberit Commander Software Compatible

Optional Accessories

- Thermostatic Mixing Valve (for 1 to 6 fittings)
- ECAST® Thermostatic Mixing Valve
- Thermostatic Mixing Valve
- ECAST® Thermostatic Mixing Valve (for 1 to 8 fittings)
- Thermostatic Mixing Valve (for 1 to 8 fittings)
- 8" Cover Plate with Locating Pins
- Mechanical Mixing Valve - Below Deck

Performance Specification

- Rating Operating Pressure: 20-125 PSI
- Rated Operating Temperature: 40-140°F

Warranty

- 5-Year Limited Faucet Warranty
- 1-Year Limited Finish Warranty
- 5-Year Limited Mechanical Warranty
- 3-Year Limited Electronics and Solenoid Warranty

Compliant To

- CA AB1953
- VT S.152
- ASME A112.18.1M
- CSA B125.1
- NSF 61, Section 9
- ADA ANSI/ICC A117.1

Job Name _____

Item Number _____

Section/Tag _____

Model Specified _____

Architect _____

Engineer _____

Contractor _____

Submitted as Shown Submitted with Variations

Date _____



ECAST

ECAST products are intended for installation where state laws and local codes mandate lead content levels or in any location where lead content is a concern.



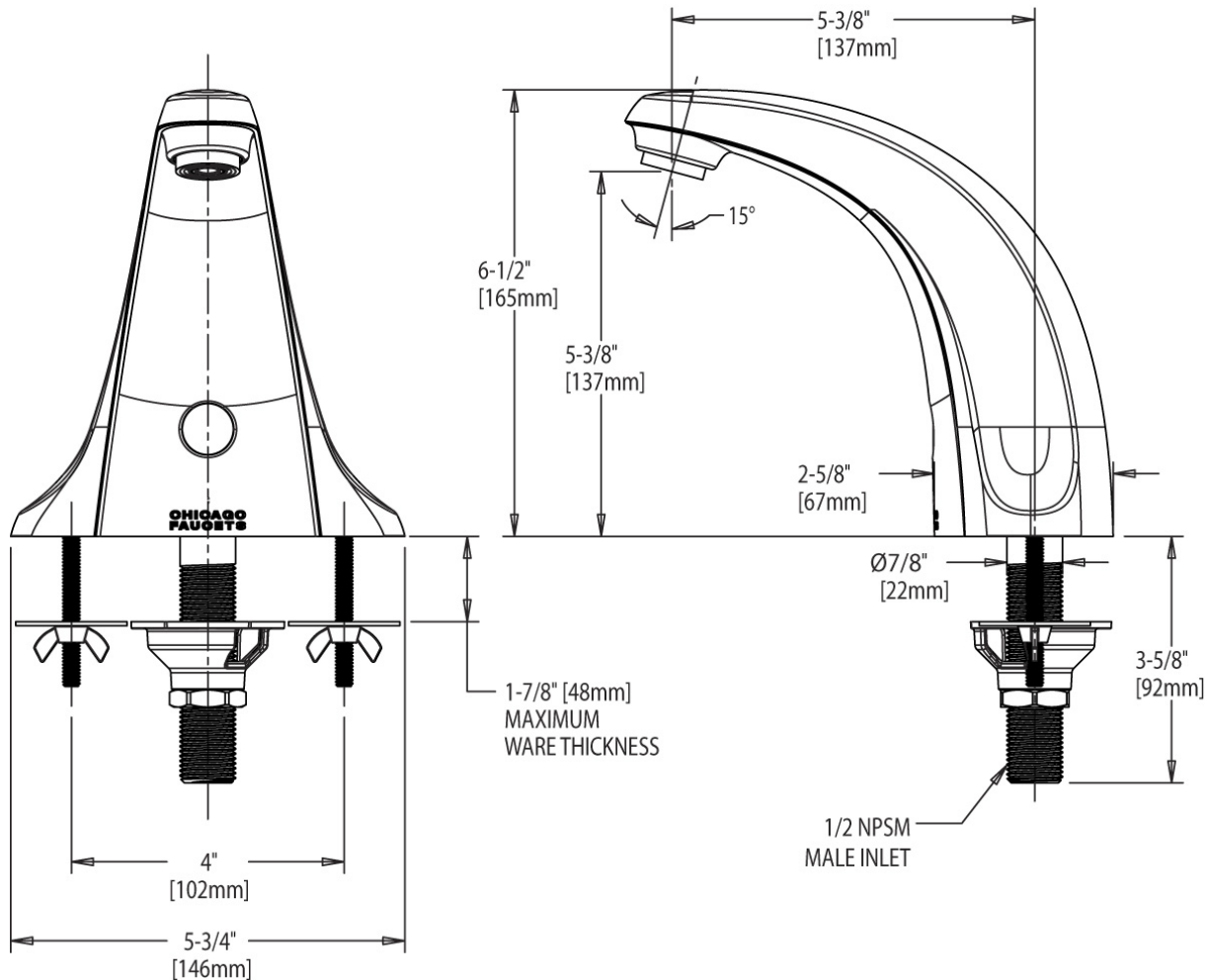
2100 South Clearwater Drive
Des Plaines, IL
P: 847/803-5000
F: 847/803-5454
Technical: 800/TEC-TRUE
www.chicagofaucets.com

116.606.AB.1

Single Hole or 4" Centers, Deck Mount, Electronic Lavatory Faucet with Dual Beam Infrared Sensor

Architect/Engineer Specification

Chicago Faucets No. 116.606.21.1, Polished chrome plated metal construction. 6V Lithium CR-P2 battery (included). Low battery indicator. Metal spout with .5 GPM vandal resistant spray outlet. Multiple field adjustable modes and ranges. Above deck hermetically sealed electronics module and solenoid with filter screen. 1/2" NPSM brass shank with filter screen. Geberit Commander™ software compatible. Mounting hardware included. This product meets ADA requirements and is tested and certified to industry standards: ASME A112.18.1 and CSA B125.



Operation and Maintenance

Installation should be in accordance with local plumbing codes. Flush all pipes thoroughly before installation. After installation, remove spout outlet or flow control and flush faucet thoroughly to clear any debris. Care should be taken when cleaning the product. Do not use abrasive cleaners, chemicals or solvents as they can result in surface damage. Use mild soap and warm water for cleaning and protecting the life of Chicago Faucet products. For specific operation and maintenance refer to the installation instructions and repair parts documents that are located at www.chicagofaucets.com.

Chicago Faucets, member of the Geberit Group, is the leading brand of commercial faucets and fittings in the United States, offering a complete range of products for schools, laboratories, hospitals, office buildings, food service, airports and sport facilities. Call 1.800.TECTRUE or 1.847.803.5000 Option 1 for installation or other technical assistance.

